

Steep/Shallow Headstage Adapter

Burleigh® PCS-500-SSH

An Accessory that Enhances
Patch Clamp Productivity

Enables a patch clamp headstage and pipette to be oriented
at very steep or shallow angles

Greatly simplifies and speeds up pipette exchange,
eliminating the hunt for pipettes by using a sliding
stage with repeatable stops



The symmetrically designed PCS-500-SSH Steep/Shallow Headstage Adapter adds unprecedented versatility to the Burleigh® PCS-5000 and PCS-6000 Micromanipulators. Ideal steep and shallow pipette angles are easily achieved with the PCS-500-SSH Headstage Adapter regardless of the restrictions of the microscope condenser and objectives. With a design that enables you to retract pipettes up from preparations quickly, and efficiently return to your field of view after pipette exchange, you will maximize your set-up time and increase productivity.



LUMEN DYNAMICS
PUTTING YOU IN CONTROL

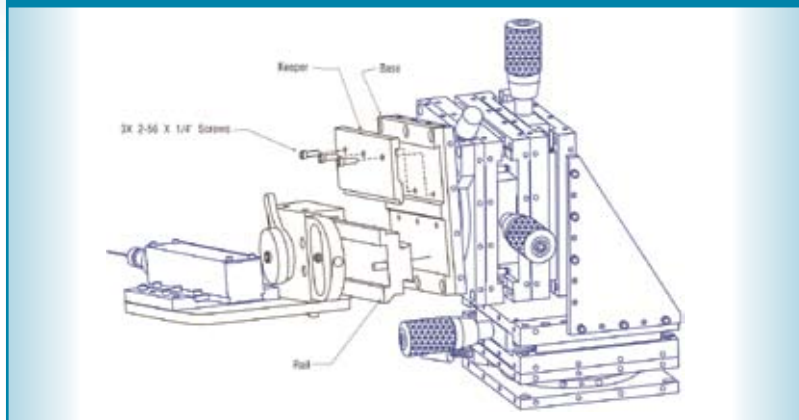
Burleigh®
Micromanipulators • In Control

Burleigh® PCS-500-SSH

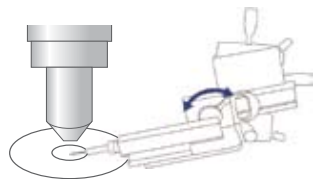
Fast and Easy Pipette Exchange

The manual linear slide of this adapter, having three inches of travel, allows the pipette to be simply removed from the preparation and a new pipette quickly and easily returned to your Home position. The slide has repeatable stops at both ends of travel and is easily locked by rotating the locking handle. The location of the end-stop is set by moving the dovetail-mounted base of the slide. Using this dovetail mount, the extended location of the headstage and pipette can be set at any distance in only a few seconds.

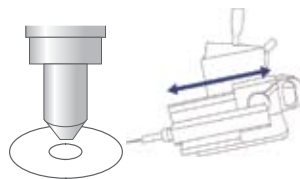
PCS-500-SSH Assembly



Pipette Exchange in 3 Easy Steps



1. To initiate pipette exchange, unlock the handle.



2. Slide the headstage and pipette back using the linear slide a full 3 inches to the end, stop, fully clearing the preparation & microscope components.

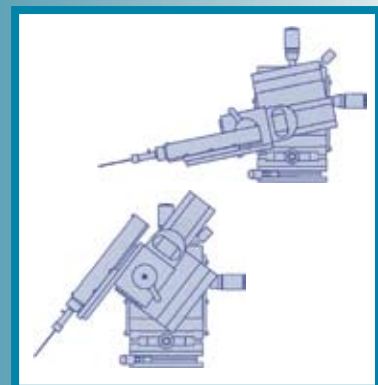


3. Rotate the micromanipulator base out using the base pivot for easy access to the pipette. Reverse the steps to return to Home position.

Steep and Shallow Angles

Steep pipette angles are often desired to minimize the length of the electrode in solution with the typical angle being greater than 45 degrees. The shorter the length of the pipette in solution, the lower capacitance compensation required and electrical noise while recording. On a typical inverted microscope, the maximum approach angle is limited by the interference of the headstage with the condenser. The Steep/Shallow Adapter holds the headstage so that the clearance with the condenser is maximized.

Shallow pipette angles are typically needed when working with brain slices on an upright, fixed stage microscope. The optimum angle allows an electrode to be moved in a straight line over the brain slice chamber and under the microscope objective without breaking the glass pipette. The typical angle is 15 to 25 degrees. The Steep/Shallow Headstage Adapter extends the headstage closer to the brain slice chamber and away from the manipulator. This extended design also makes it easier to arrange several patch manipulators around one brain slice.



LUMEN DYNAMICS
PUTTING YOU IN CONTROL

2260 Argentia Road,
Mississauga, Ontario,
L5N 6H7 CANADA

www.LDGI-Burleigh.com

Telephone: +1 905 821-2600
Toll Free (USA and Canada): +1 800 668-8752
Facsimile: +1 905 821-2055

Burleigh@LDGI.com



Lumen Dynamics Group Inc. is certified under the globally recognized ISO 9001 Quality Management System and the ISO 14001 Environmental Management System. Our global customers can trust that Lumen Dynamics strives to be the best possible supplier in all aspects of our business.

Burleigh® is a registered trademark of Lumen Dynamics Group Inc. All rights reserved.
Lumen Dynamics has made every effort to ensure that the information contained in this specification sheet is accurate. However, we accept no

responsibility for any errors or omissions, and we reserve the right to modify design, characteristics and products at any time without obligation. Contact Lumen Dynamics for prices and availability or to obtain the phone number of your local Lumen Dynamics representative.